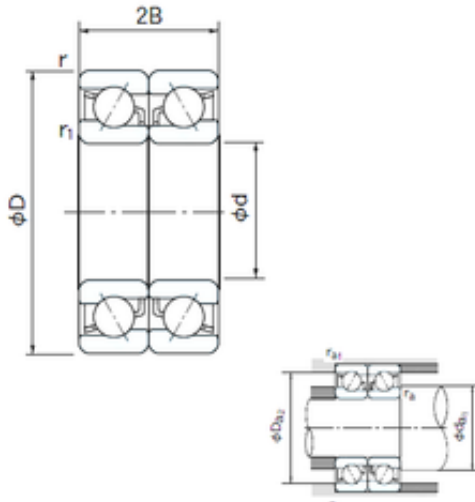




CYSD BEARING-ENGLAND CO.,LTD.



7230CDB Bearing 2D drawings and 3D CAD models

150 mm x 270 mm x 45 mm NACHI 7230CDB
angular contact ball bearings

Bearing No. 7230CDB

Size	150x270x45 mm
Bore Diameter	150 mm
Outer Diameter	270 mm
Width	45 mm
d	150 mm
D	270 mm
B	45 mm
C	45 mm
Angle (°)	15 °
a	1.5 mm
r min.	3 mm
r1 min.	1.1 mm
2B	90 mm
da min.	164 mm
Da max.	263 mm
ra max.	1 mm
Weight	11.0 Kg
Basic dynamic load rating (C)	425 kN
Basic static load rating (C0)	575 kN
(Grease) Lubrication Speed	3000 r/min
Bore Type	Cylindrical Bore
Enclosure	Open
Configuration	Duplex
Bore Size	150 mm
Outside Diameter	270 mm



CYSD BEARING-ENGLAND CO.,LTD.

Width	45 mm
Fillet Radius/Chamfer	3 mm
r1	1.1 mm
Dynamic Load Rating	425,000 N
Static Load Rating	575,000 N
Limiting Speed - Grease	3,000 rpm
Limiting Speed - Oil	4,200 rpm
da1 (min)	164 mm
da2 (min)	164 mm
Da1 (max)	256 mm
Da2 (max)	263 mm
ra (max)	2.5 mm
ra1 (max)	1 mm